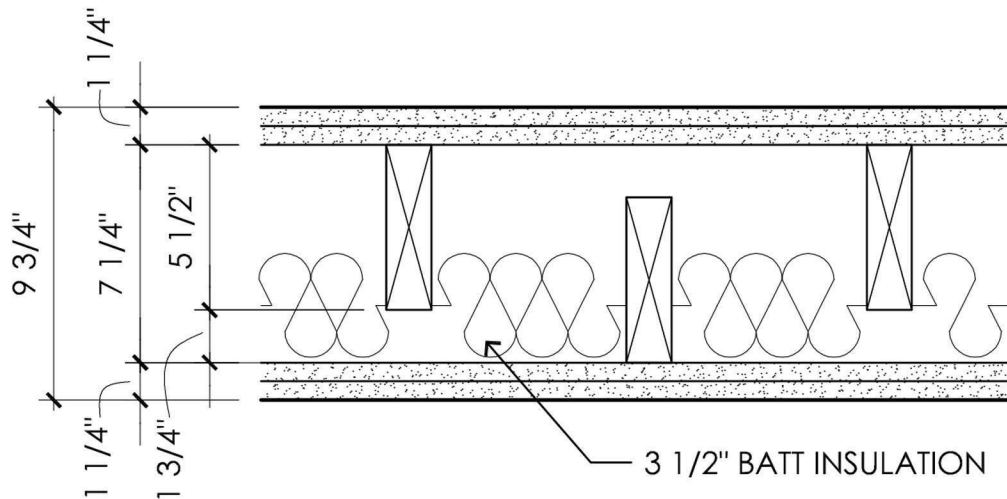




TIMBERS

MT. CRESTED BUTTE · CO

Party Wall Construction



2x6 framing staggered with (2) layers of 5/8" gyp. board applied to both sides.
 Req'd Fire Rating: 30 minutes (sim. to GA file No. 5530)
 Sound Rating: 55-58 STC (sim. to NGA 3056)



KPD STUDIOS
 KRISTINE PIVARNIK DESIGN
www.kpdstudios.com

NOTE: Buyer shall be aware that all documentation of this building, including drawings, specifications and verbal or written communication and representation, is preliminary and/or for construction only. Final building and site may not reflect the documentation shown and/or delivered and the aforementioned documents do not constitute as-built drawings. Seller and contractor reserve the right to change any aspect of the building for reasons of construction, material availability, timing, code requirements or any other reason. Updated: 03.27.2015

Benson

Sotheby's
 INTERNATIONAL REALTY

COREY DWAN
 970.596.3219

COREY.DWAN@SOTHEBYSREALTY.COM
 CRESTEDBUTTECOLLECTION.COM